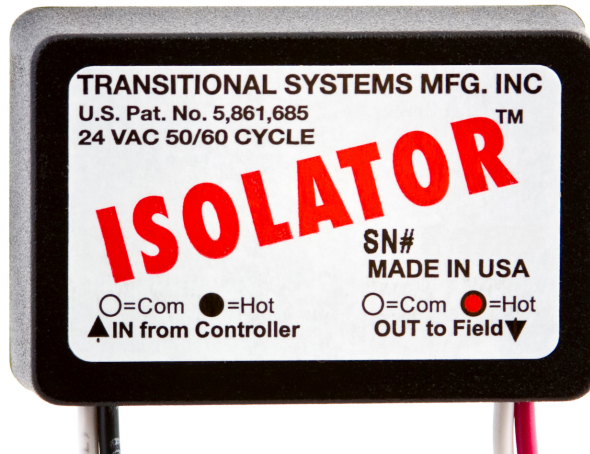




ISOLATOR™

Protect your controllers

- Prevent false start times
- Prevent blown fuses
- Prevent blown controllers
- One year warranty



- Input: 24VAC, with 35ma power draw
- Output: 24VAC with 8 Amp load capacity
- Easy installation- 2 wires in, 2 wires out
- Operation time 7ms

DUAL ACTION CONTROLLER PROTECTION

If you have multiple controllers on your system you need **ISOLATOR™**. When two or more controllers need to operate a pump or master valve they become interconnected. Your valves in the field can even leave your system interconnected due to maintenance or repairs. Feedback, phasing and polarity differences are just a few of the problems that can plague your system causing false start times, blown fuses and even blown controllers! **ISOLATOR™** is the easiest way to protect these controllers and your system. **ISOLATOR™** provides a safe, effective method of operating a multi-controller system and ensuring it against these potential and inevitable problems:

FEEDBACK: When the first controller begins a cycle, it sends power to the pump or master valve which also backfeeds to the other controllers. Some controllers exhibit strange behavior, like starting a cycle, when external power is applied to their Pump/Master valve terminal.

POLARITY: When a controller is removed for repair, the transformer wires can easily be reversed when it is reinstalled. It's common terminal will be a 24 VOLT difference from the other common terminals.

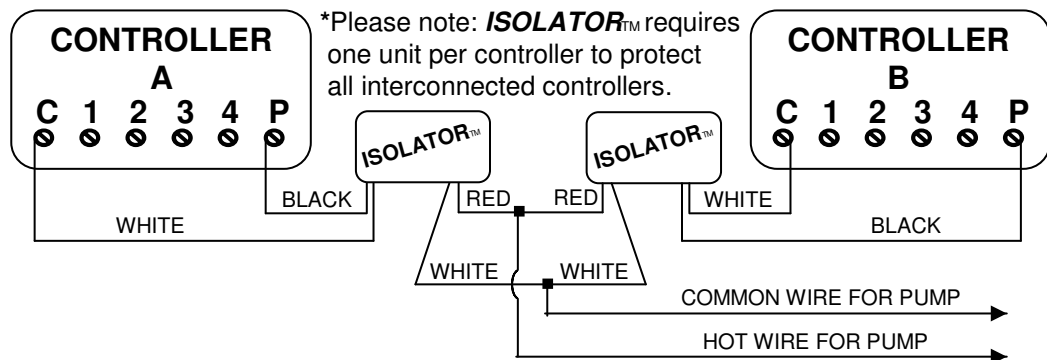
PHASING: Phasing problems occur when controllers are on different "legs" of a 240 volt utility service. The 120 volt supply to the controllers is out of phase. **ISOLATOR™** provides the only method of interconnecting these controllers to operate a pump or master valve.

If you have these problems you need **ISOLATOR™**. Add to the mix several brands of controllers, both mechanical and digital, old and new, then you really need **ISOLATOR™**.

EASY TO INSTALL

Adding a pump relay to each controller solves some problems but **ISOLATOR™** offers double protection by locking out all controllers except one, for about the same price.

PROTECT YOUR SYSTEM



Transitional Systems Mfg., Inc. P.O. Box 3449 Yuba City, CA 95992

www.transitionalsystems.com • tsm@transitionalsystems.com

Phone (530) 751-2610 • Fax (530) 751-2512